

Brady SLP-TRK[®] Sliptrack Structural System

Structural slotted deflection track for interior & exterior walls

Brady's SLP-TRK[®] system provides a positive attachment for wall strength and allows for 1" vertical movement. Movement caused by normal head-of-wall and floor extension or compression is absorbed by SLP-TRK[®] to prevent damage to the wall system.

Waferhead screws positively attach the stud through SLP-TRK's vertical slots. Floor deck movement is absorbed by SLP-TRK[®] at the center of the construction joint.

Brady's SLP-TRK[®] smoothly integrates with a variety of wall installation systems and is extremely user-friendly, as well as economical. The simple design and easy installation reduces the cost of materials and labor. And the installer can use the head-of-wall systems he prefers to work with. Sliptrack Systems complies with the toughest code requirements in the country, if not the world. It has been tested with a variety of leading fire-stop products, and has outperformed the requirements of stringent fire and hose stream testing ASTM E-119, ASTM E-814. Sliptrack also has met and exceeded the latest seismic cycling standards found in UL2079 and ASTM1966

Product Data & Ordering Information:

- Material:** All Material: Grade 50ksi yield strength
 54mils: 16 Gauge, 0.0566" Design Thickness, 0.0538" Min. Thickness
 68mils: 14 Gauge, 0.0713" Design Thickness, 0.0677" Min. Thickness
 Coating: CP60 per ASTM C955 (G90 Available)
- Dimensions:** 2-1/2" legs with an inside depth equal to the depth of the stud
- Available in 2-1/2", 4", 6" and 8" width systems
 - Vertical slots are 1/4" wide x 1-1/2" long and spaced every 1" o.c.

ASTM & Code Standards:

- ASTM C955, A653 & A1003.
- MSDS & Product Certification

Other available Brady SLP-TRK Systems:

Available in 2-1/2", 3-5/8", 4", 6" and 8" width systems in 25ga, 20ga and 18ga

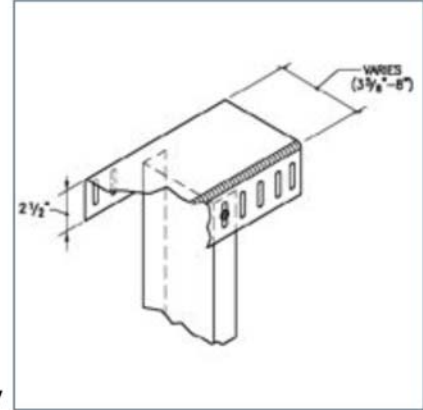
Allowable Lateral Loads:

- 54mils (16gauge) SLP-TRK[®] P = 308 lbs.
- 68mils (14gauge) SLP-TRK[®] P = 342 lbs.

Calculating slip track point load:

Point Load (P) = (wind pressure PSF) x (spacing FT) x (wall stud length FT) / 2

Example: (5 PSF) x (1.33 FT) x (9.5 FT) / 2 = 31.7 lbs.



Slotted Deflection Track

- Allows up to 1" vert. deflection
- UL Approved 1 & 2 hour systems



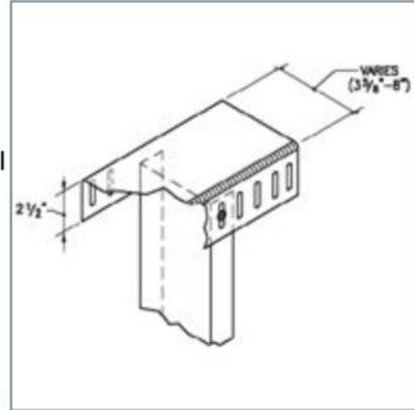
Brady SLP-TRK[®] Sliptrack Non-Structural System

Drywall slotted deflection track for interior walls

Brady's SLP-TRK[®] provides a positive attachment for wall strength and allows for 1" vertical movement. Movement caused by normal head-of-wall and floor extension or compression is absorbed by SLP-TRK[®] to prevent damage to the wall system.

Waferhead screws positively attach the stud through SLP-TRK's vertical slots. Floor deck movement is absorbed by SLP-TRK[®] at the center of the construction joint.

Brady's SLP-TRK[®] smoothly integrates with a variety of wall installation systems and is extremely user-friendly, as well as economical. The simple design and easy installation reduces the cost of materials and labor. And the installer can use the head-of-wall systems he prefers to work with. Sliptrack Systems complies with the toughest code requirements in the country, if not the world. It has been tested with a variety of leading fire-stop products, and has outperformed the requirements of stringent fire and hose stream testing ASTM E-119, ASTM E-814. Sliptrack also has met and exceeded the latest seismic cycling standards found in UL2079 and ASTM1966



Slotted Deflection Track

- Allows up to 1" vert. deflection
- UL Approved 1 & 2 hour systems

Product Data & Ordering Information:

Material:	All Material: Grade 33ksi yield strength 18mils: 25 Gauge, 0.0188" Design Thickness, 0.0179" Min. Thickness 33mils: 20 Gauge, 0.0346" Design Thickness, 0.0329" Min. Thickness 43mils: 18 Gauge, 0.0451" Design Thickness, 0.0428" Min. Thickness Coating: G40EQ (G40 & G60 available)
Dimensions:	2-1/2" legs with an inside depth equal to the depth of the stud Vertical slots are 1/4" wide x 1-1/2" long and spaced every 1"o.c.

ASTM & Code Standards:

- ASTM C645, A653 & A1003
- MSDS & Product Certification

Other available Brady SLP-TRK Systems:

Available in 2-1/2", 3-5/8", 4", 6" and 8" deep systems in 54mils(16ga) and 68mils(14ga)



Allowable Lateral Loads:

- 18mils (25gauge) SLP-TRK[®] P = 33 lbs.
- 33mils (20gauge) SLP-TRK[®] P = 138 lbs.
- 43mils (18gauge) SLP-TRK[®] P = 163 lbs.

Calculating slip track point load:

Point Load (P) = (wind pressure PSF) x (spacing FT) x (wall stud length FT) / 2

Example: (5 PSF) x (1.33 FT) x (9.5 FT) / 2 = 31.7 lbs.